

The logo features the letters 'CWTT' in a bold, dark grey, sans-serif font. A small red circle with a white 'R' is positioned to the upper right of the 'T'. Below the letters is a solid red horizontal bar containing the word 'WORKTOOLS' in white, italicized, uppercase letters.

**CWTT<sup>®</sup>**  
**WORKTOOLS**

**FINISHING WHAT YOU STARTED**



## Finishing what you started

### **You started it**

And we will help you finish it with our wide range of equipment developed for making your job easier and more enjoyable. Easy to use and reliable, you will instantly appreciate the possibilities for finalising independently everything from large tasks to small and all in a fraction of of the time required by conventional methods.

### **And we know**

What you need. We started out as sign manufacturers back in the 1960s and based on our knowledge acquired over decades we develop and manufacture all our machinery in our factory in Sweden.

### **You will be profitable**

Fast return on your investment is another aspect you will appreciate. This is achieved by time savings of up to 85%, less wasted material thanks to a fully controlled process and quality output – that will leave your competition behind. Wait no longer, join the thousands of happy users of equipment from CWT Worktools.

# Areas of application

- Apply premask application tape on cut vinyl
- Laminate large format prints and artwork
- Mount self-adhesive vinyl and prints to boards and panels
- For rigid and soft substrates
- Protective film on glass
- Create multi-material panels
- Car wrap preparations
- Traffic signs

**And much more with time savings of up to 85%**

# CWT EVOLUTION

## OUR MOST ADVANCED TECHNOLOGY YET

**With the Evolution series of flatbed applicators, we are taking steps to make even more versatile equipment to meet the increasing demands of a controlled laminating process.**

Our goal is still to build user-friendly machinery that enables your business to achieve the best possible output in terms of production and quality capacity and we have implemented many new functions for controlling pressure, speed and heat to make that happen.

We have also invented a new way to ship fully assembled applicators in a vertical position and with an easy roll-off function that makes installation fast and easy.

This patented solution for transportation also reduces space and will ensure a smaller environmental footprint.

### **ELECTRIC**

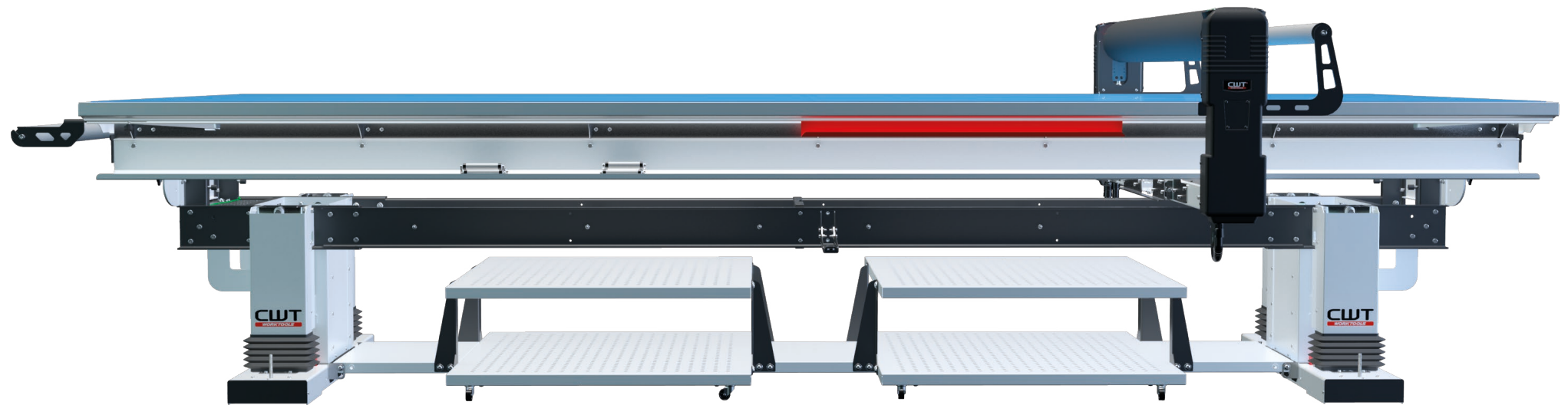
A motorised vertical roller lift opens up the possibility of a semi automated laminating process. The roller lift has a precise electronic 7-step pressure setting with operator-friendly and intuitive functions.

The precise setting in combination with the options of EVO heat and EVO drive will enable you to meet your own preferences as well as the requirements of media suppliers.

### **AIR**

Our pneumatic vertical roller lift is ideal for most lamination tasks. It provides fast and precise height adjustment and easily controlled stepless pressure setting with the integrated air regulator.

Air-controlled systems require a lubricant-free air compressor, you can use your existing workshop compressor or our optional freestanding silent compressor.



CWT Evolution Electric.

# EVOLUTION ELECTRIC SERIES

## ALL-ELECTRIC FLATBED APPLICATOR AND WORK TABLE

Evolution is our most powerful flatbed applicator yet, with an electrified gantry for innovative and intuitive functionality. Evolution features electronic pressure control, electronic height adjustment, heat-assisted lamination and electronic drive. This means more precise settings, faster mounting and lamination with no silvering. You can work at a higher speed and with consistent quality output and less stress on your body.

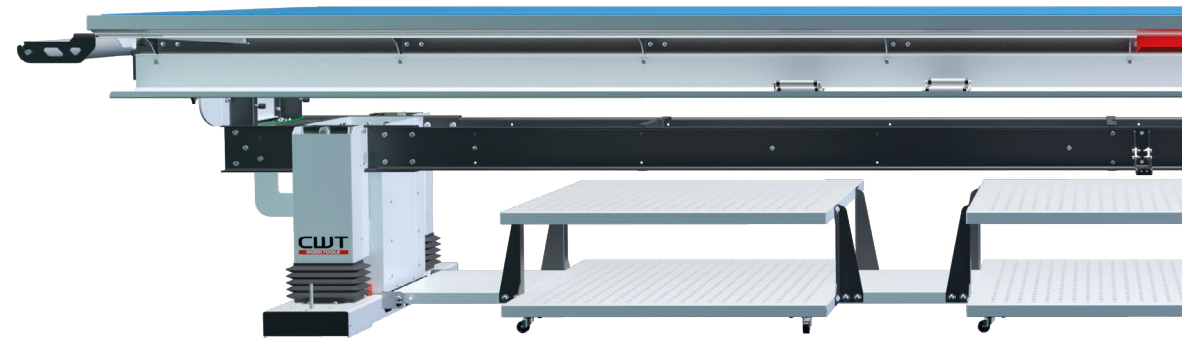
The EVO Electric series is available as **Electric** and **Electric Max** in a variety of sizes.



CWT Worktools is proud to announce that CWT 1737 Electric MAX received a coveted PRINTING United Alliance 2021 Pinnacle Product Award for Laminators (roll-to-roll or table).

*“My production manager is just ecstatic of applying vinyl to various substrates.”*

**Russell Carter** - President, Signarama, Shelby Township



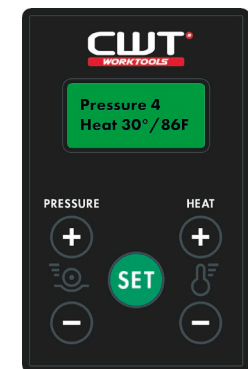
MODEL	CWT1730	CWT1737	CWT1748
Length of working area	2540 mm (8 ft. 4 in.)	3125 mm (10 ft. 3 in.)	4295 mm (14 ft. 1 in.)
Width of working area	1650 mm (5 ft. 5 in.)	1650 mm (5 ft. 5 in.)	1650 mm (5 ft. 5 in.)

**EVO ELECTRIC MAX**

**Included accessories:** Cutting mat, Fully assembled, EVO Utility pack, EVO Light, USB, EVO Cut compatible, EVO Lift, EVO Hot, EVO Drive

**EVO ELECTRIC**

**Included accessories:** Cutting mat, Fully assembled, EVO Utility pack, EVO Light, USB, EVO Cut compatible



with the increased efficiency



## FEATURES

**EVO ROLLER** – Motorised vertical roller action.

**EVO UTILITY PACK** – Bed end roll holder, 2 x mini-roll cradles, 2 x sliding pockets.

**CUTTING MAT** – High-quality and self-healing.

**FULLY ASSEMBLED** – Patented system for easy access and unloading.

**TEMPERED GLASS** – Durable hardened tabletop glass.

**USB** – Integrated charger output.

## OPTIONS

**EVO LIGHT** – Perfect edge-to-edge illumination with side-lit LED technology.

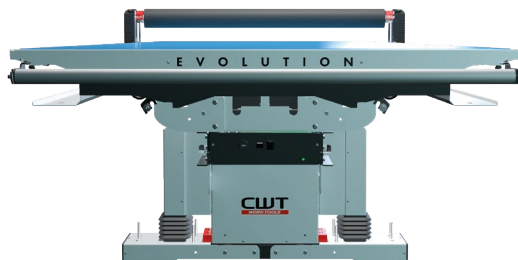
**EVO CUT** – Integrates CWT linear cutters with your applicator.

**EVO HOT** – Heat-assisted roller.

**EVO DRIVE** – Motorised and remote-controlled gantry.

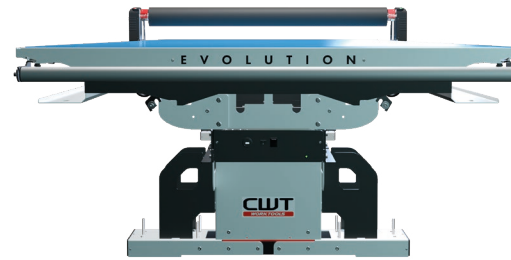
**EVO STORAGE** – Convenient undertable storage.

**EVO LIFT** – Electronic height setting for optimised ergonomics.



### EVO LIFT

Electronic height setting for optimised ergonomics.



### EVO

Manual height adjustment with 5 different pre-settings.



### Tested and proven!

Complies with CE, UL, ISO 9001 and ISO 14001.  
Guaranteed performance with a warranty of up to 5 years.  
\*2 years on electronic components.

# EVOLUTION AIR SERIES

## PNEUMATIC FLATBED APPLICATOR AND WORK TABLE

Evolution Air Plus series applicators are equipped with a pneumatically controlled roller and are ideal for all types of cold lamination.

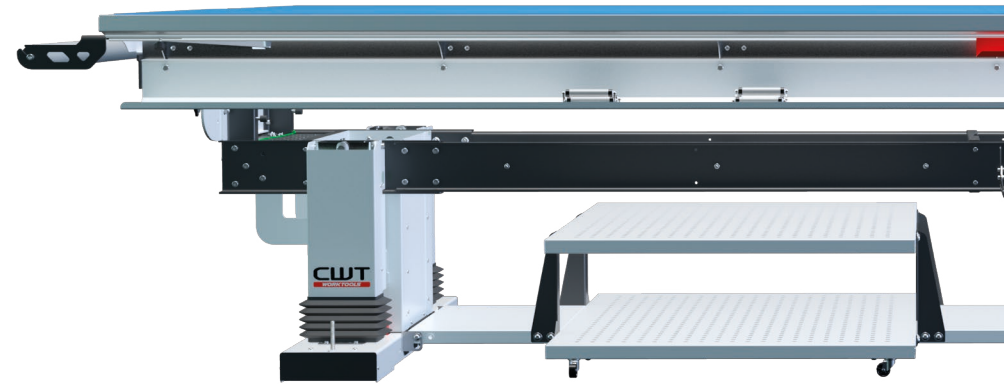
High-performance machinery with features such as EVO Lift, EVO Light and EVO Storage (PLUS models) and upgradable with EVO Cut for easy integration with our range of CWT linear cutters.

All of our Evolution machinery in the Evolution Air Plus series is delivered fully assembled with our patented easy unloading system to ensure quick and easy installation.

The EVO Air series is available as **Air** and **Air Plus** in a variety of sizes.

“Makes the task faster and easier than a”

Ted Redmer - Senior Digital Technology Manager, Alliance Franchise Brands



MODEL	CWT1730	CWT1737	CWT1748
Length of working area	2540 mm (8 ft. 4 in.)	3125 mm (10 ft. 3 in.)	4295 mm (14 ft. 1 in.)
Width of working area	1650 mm (5 ft. 5 in.)	1650 mm (5 ft. 5 in.)	1650 mm (5 ft. 5 in.)

**EVO AIR PLUS**

**Included accessories:** Cutting mat, Fully assembled, EVO Utility pack, EVO Lift, EVO Storage, EVO Light, USB, EVO Cut compatible

**EVO AIR**

**Included accessories:** Cutting mat, Fully assembled, EVO Utility pack, EVO Cut compatible



ever.”



## FEATURES

**CUTTING MAT** – High-quality and self-healing.

**FULLY ASSEMBLED** – Patented system for easy access and unloading.

**TEMPERED GLASS** – Durable hardened tabletop glass.

## OPTIONS

**EVO LIGHT** – Perfect edge-to-edge illumination with side-lit LED technology.

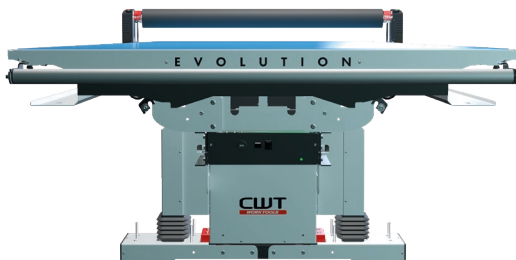
**EVO CUT** – Integrates CWT linear cutters with your applicator.

**USB** – Integrated charger output.

**EVO STORAGE** – Convenient undertable storage.

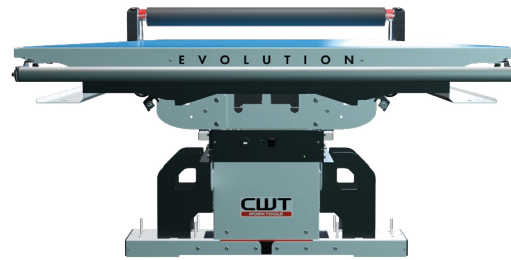
**EVO LIFT** – Electronic height setting for optimised ergonomics.

**EVO UTILITY PACK** – Bed end roll holder, 2 x mini-roll cradles, 2 x sliding pockets.



### EVO LIFT

Electronic height setting for optimised ergonomics.



### EVO

Manual height adjustment with 5 different pre-settings.



### Tested and proven!

Complies with CE, UL, ISO 9001 and ISO 14001.  
Guaranteed performance with a warranty of up to 5 years.

\*2 years on electronic components.

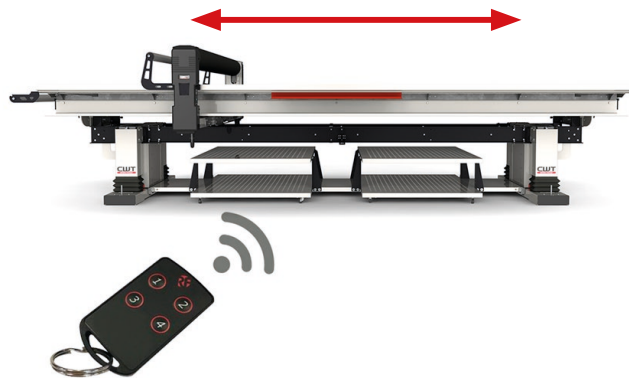
# EVO HOT

Heat-assisted roller for a faster lamination process with no silvering. Stepless heat settings between 30° and 60°C (86° and 140°F). Combine with EVO Drive for optimised functionality and quality-controlled process.



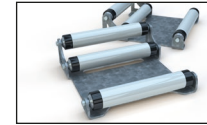
# EVO DRIVE

Ergonomic option that provides consistent mounting and lamination speed and quality. You can work at a higher speed with consistent quality output and with less strain on your body. The motorised gantry is controlled by a handy remote control – giving you the freedom to work from any position. Combine with EVO Hot for optimised functionality and a quality-controlled process. Speed settings 1–9 m/min (3 ft.–30 ft./min).

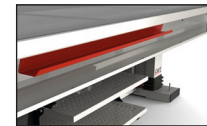


# EVO UTILITY PACK

Smart accessories that will make your job easier.



**Mini roll cradles** to be used with any width of roll. Use them on your table top or for easy roll-out from the table side pockets (100 mm/4 in.).



**Sliding pockets** for your smaller tools and telephone, slides all along the table length.



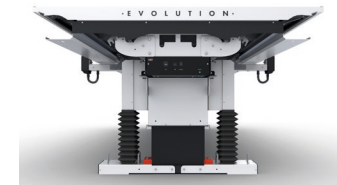
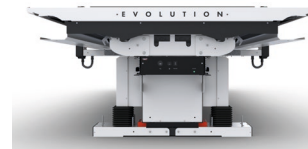
**Bed end roll holder** for easy media roll-out and storage.

# EVO LIFT

Ensures the most ergonomic working position with integrated electric height adjustment. You can adjust the height of the table top electrically from 800–1090 mm (31–42 in.).



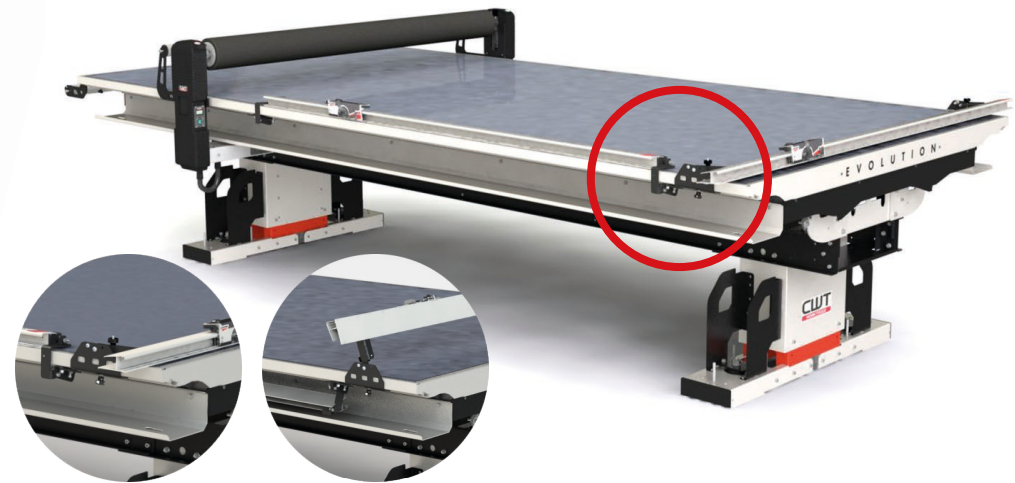
Optimised height for all operators.



# EVO CUT

Brackets to be combined with any CWT Linear Cutter. Smart cutting and trimming solution for prints and boards. Integrates with the applicator's short and long sides.

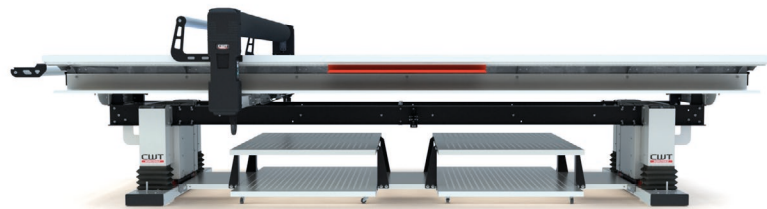
Easy snap-off function to remove the Linear Cutter while not being used or if you need to use the cutter for other tasks.



Convenient fast connections for Linear Cutters. Perfect for trimming soft substrates such as vinyl and banners, and also a variety of rigid boards, such as extruded PVC, flute board and foam board.

# EVO STORAGE

Utilises the empty space under the work table as an integrated storage solution for rolls and panels. If you move your flatbed applicator, the storage unit will conveniently follow along thanks to the integrated casters.



# EVO LIGHT

Turns the work table into an ergonomic light table with integrated illumination. The new light table with side-lit LED technology ensures even edge-to-edge illumination all around the table top.



# REGULAR SERIES

## PNEUMATIC FLATBED APPLICATOR AND WORK TABLE

Our most popular model and our original classic, a very strong production machine built for working long shifts uninterrupted.

It has everything you need, all the features, high production capacity, and a table surface that will accommodate a large number of standard sheets and roller widths currently available on the market.

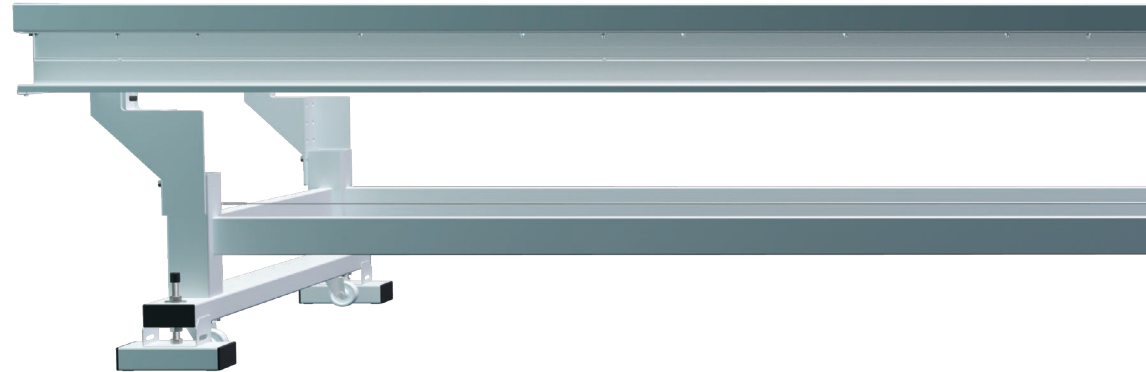


**Tested and proven!**

Complies with CE, UL, ISO 9001 and ISO 14001.

“Our CWT flatbed has become the (”

**Frédéric Brühlhart** - CEO, SICHTBAR Beschriftung



MODEL	CWT1630	CWT1640	CWT2147
Length of working area	2560 mm (8 ft. 5 in.)	3560 mm (11 ft. 8 in.)	4260 mm (14 ft.)
Width of working area	1560 mm (5 ft. 1,5 in.)	1560 mm (5 ft. 1,5 in.)	2050 mm (6 ft. 9 in.)

**PREMIUM**

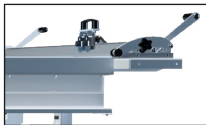
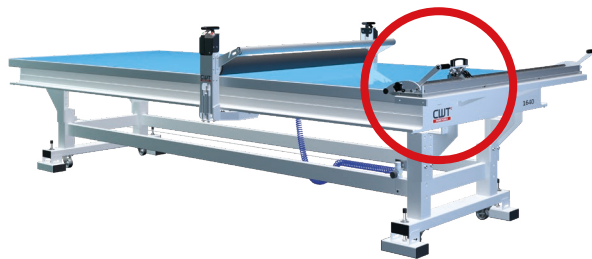
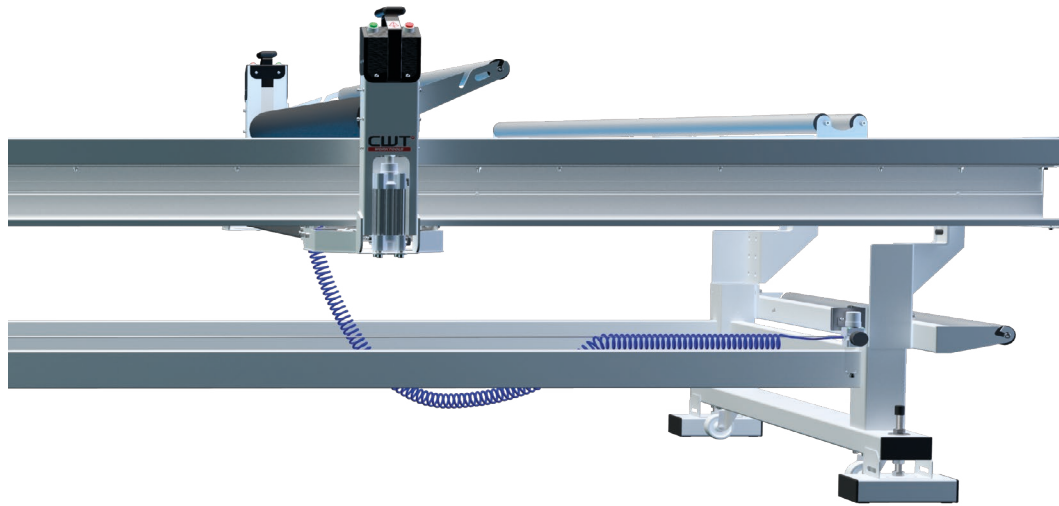
**Included accessories:** Cutting mat, CWT access anywhere\*, Tempered glass, Side pockets, Roll holder, LED light, Table top roll holder, Lower roll holder

**REGULAR**

**Included accessories:** Cutting mat, CWT access anywhere\*, Tempered glass, Side pockets, Roll holder

\* Modular build, fits through 25 cm/10 in. doorways

... centre of our production process."



#### Pro Cutter shelf

- Integrates with CWT 1600 Regular series
- Compatible with CWT Pro Cutter
- Inglet Inbest Pro Cutter Bar®, Keencut Evolution E2®

## FEATURES

**CUTTING MAT** – High-quality and self-healing.

**CWT ACCESS ANYWHERE** – Modular system.

**TEMPERED GLASS** – Durable hardened tabletop glass.

**SIDE POCKETS** – Storage and big banner application.

**ROLL HOLDER** – For lamination and pre-masking applications.

## OPTIONS

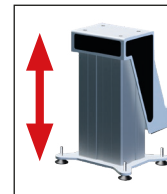
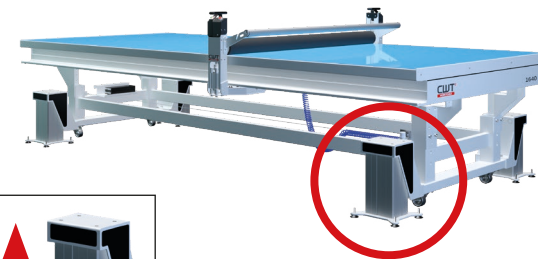
**LED LIGHT** – Illuminated table top (PREMIUM).

**TABLE TOP ROLL HOLDER** – Mobile roll cradle (PREMIUM).

**LOW ROLL HOLDER** – Extra-low roll holder short side (PREMIUM).

**PRO CUTTER SHELF** – Integrated cutting solution.

**HS LIFT KIT** – Electronic height setting for optimised ergonomics.



#### HS Lift Kit

CWT Regular flatbed applicator equipped with HS electric lift kit. Kit fits all CWT Regular models and includes lift columns and control unit.

# ADVANTAGE SERIES

## PNEUMATIC FLATBED APPLICATOR AND WORK TABLE

Our smallest applicator, but still a very strong production machine built for working long shifts uninterrupted.

This machine is perfect for items such as yard signs, posters, political signs, and street signs – but also signs up to twice the length of the table using support stands.

Illuminated table top and convenient storage shelf (CWT1016) and casters are standard.



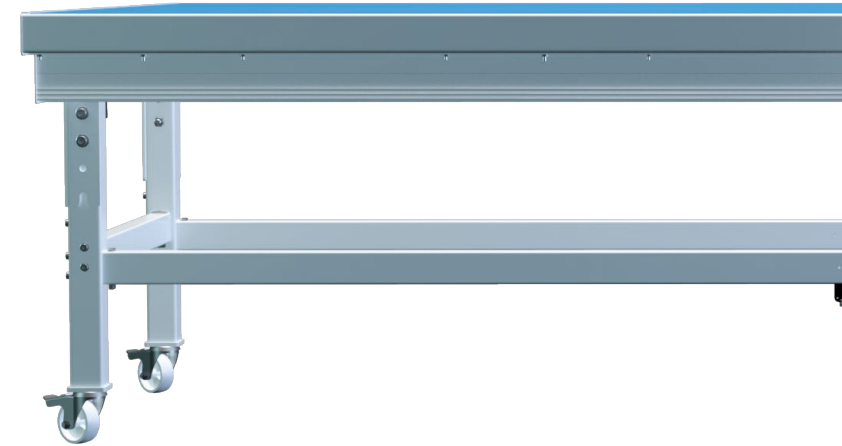
**Tested and proven!**

Complies with CE, UL, ISO 9001 and ISO 14001.

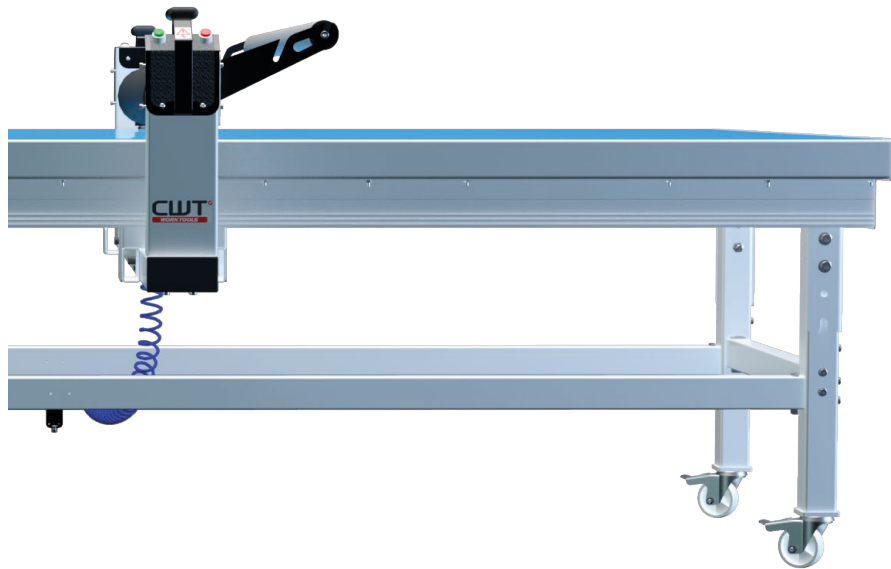
MODEL	CWT1016	CWT1428
Length of working area	1339 mm (4 ft. 5 in.)	2570 mm (8 ft. 5 in.)
Width of working area	950 mm (3 ft. 1 in.)	1400 mm (4 ft. 7 in.)

“Our CWT table is simple, smart (”

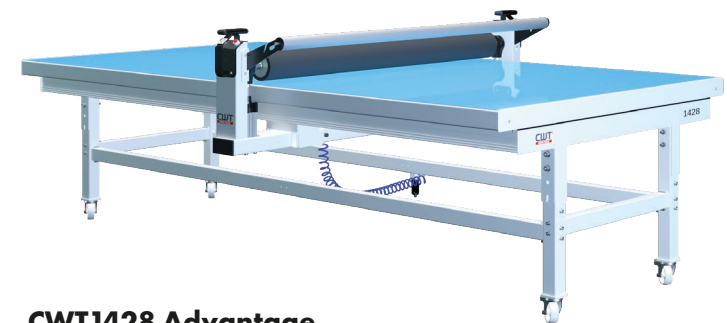
**Kevin Spahr** - Sr. Graphics and Signage Manager,  
SignViz, a division of Paramount Safety



t and reliable.”



**CWT1016 Advantage**



**CWT1428 Advantage**

## FEATURES

**CUTTING MAT** – High-quality and self-healing.

**CWT ACCESS ANYWHERE** – Modular system.

**TEMPERED GLASS** – Durable hardened tabletop glass.

**ROLL HOLDER** – For lamination and pre-masking applications.

**BED END POCKET STORAGE** (CWT1016)

**LED LIGHT** – Illuminated table top.

## OPTIONS

**TABLE TOP ROLL HOLDER** – Roll cradle.

# LINEAR CUTTER SERIES

The idea behind this tool comes from decades of our own experience in traditional sign manufacturing where we perform long and precise cuts every day. We wanted a tool so easy and flexible to use that anyone can handle it in just a few minutes and be able to replace the affordable, standard blades in a matter of seconds.

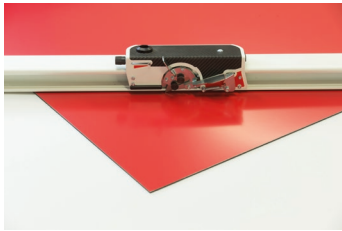
Our rulers are made of extruded and powder-coated aluminium which means high durability but also low weight for easy operation. The cutter heads are made from high-quality steel and are manufactured with high precision.

The materials to be cut remain stationary while you easily move the linear cutter into the desired position, which is a unique feature possible thanks to the built-in pressure system and non-slip bottom surface. Our method is very smooth compared to conventional cutting where you have to move the materials instead.

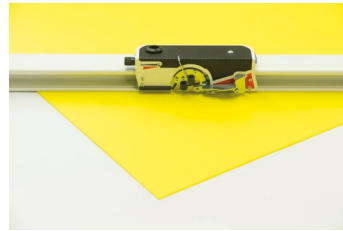
Our range of linear cutters can be integrated into short and long sides on all EVO applicators using the optional EVO Cut brackets.



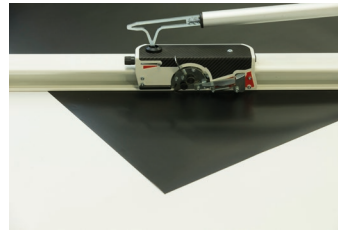
**Suitable for trimming a wide variety of substrates, for example;**



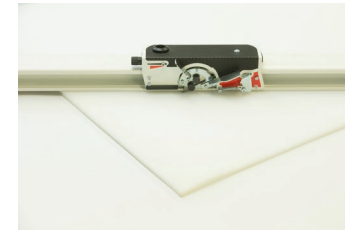
Banners



Flute board



Vinyl



Extruded PVC

MODEL	D100	Y170	B250	R330
Cutting length*	1000 mm (3 ft. 3 in.)	1700 mm (5 ft. 7 in.)	2500 mm (8 ft. 2 in.)	3300 mm (10 ft. 10 in.)

\*Extension stick included





**Tested and proven!**

Complies with CE, UL, ISO 9001 and ISO 14001.

### AREAS OF APPLICATION

**Flute board  
Gator board  
Cardboard  
Extruded PVC  
Magnetic mats**

**Laminates  
Banners  
Canvas  
Leather  
Rubber**

**Textiles  
Vinyl  
Mesh  
Paper  
Aluminium composite**

## OPTIONAL ACCESSORIES

**Perfect complements for your production:**



Sticky roller – perfect tool for a dust-free surface.



Long reach cutter – telescopic and easy-to-use trimming tool.



## Quality



CWT Worktools has been approved by Lloyd's Register in accordance with the following standards:  
ISO 14001:2015, ISO 9001:2015

Approval number(s): ISO 14001 – 00009781,  
ISO 9001 – 00009782



CWT Worktools is proud to announce that **CWT 1737 Electric MAX** received a coveted PRINTING United Alliance 2021 Pinnacle Product Award for Laminators (roll-to-roll or table).



## Sustainability



We are pleased to announce that CWT Worktools has received a 2021 Silver Medal from EcoVadis. This recognition is a testament to our continuous efforts in the field of sustainability and corporate social responsibility.



CWT Worktools is actively working towards compliance with the UN's Sustainable Development Goals by 2030.

Interim target 12.2  
Subgoals 12.5/17.3/17.7 by 2030

## Contact

### CWT Worktools

Box 225  
Årstidsvägen 8  
SE-665 35 Kil  
Sweden

**CWTWORKTOOLS.COM**

